



# PRODUCT SPECIFICATION

**MODEL:** V1300X-CA

**PRODUCT CODE:** 4178

**DESCRIPTION:** 34 - 25 PIN CABLE ADAPTER

The V1300X-CA cable adapter is used to interconnect switching control systems with incompatible video control connectors. When it is necessary to connect a 34-pin video control bus to a 25-pin video control bus, a V1300X-CA cable adapter is required. Typical Vicon products that might require the V1300X-CA include, but is not limited to, connecting a V4400 Matrix 44 Card Cage to a V4480 Matrix 44 or a V6680 Matrix 66 Card Cage, connecting VPS1300 systems (with V1300X-VC video cards with 34-pin connectors) to a V4480 or V6680 Card Cage, or using a V1344SCPU-HD or V4430ADEC-HD in conjunction with a V4470DL. See Figure 1 for an example configuration.

NOTES	SPEC NO.	REV.	SEC.
	965	799	11

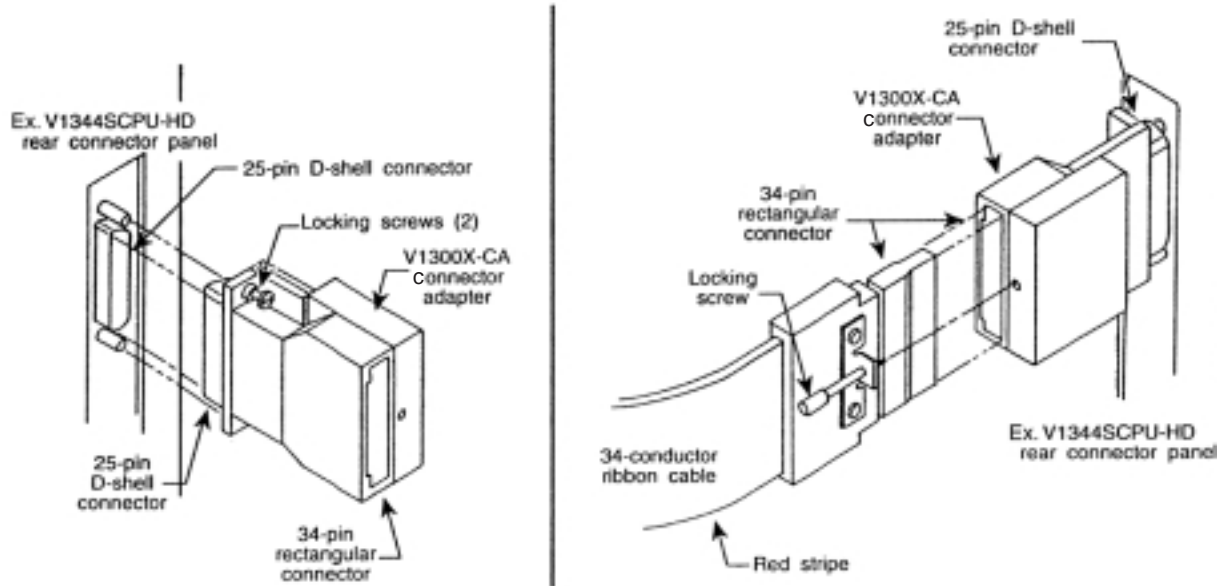
## TECHNICAL INFORMATION

### Mechanical

**Dimensions:** Height: 0.9 in. (23 mm).  
Width: 2.0 in. (51 mm).  
Depth: 2.25 in. (57 mm).

**Weight:** 0.1 lb (0.05 kg).

**Shipping Information:** Shipped in baggy as needed.



**Figure 1**  
**Typical V1300X-CA Installation**

Product specifications subject to change without notice.  
Copyright © 1999 Vicon Industries Inc. All rights reserved.

Vicon part number 8006-7965-00-00  
Vicon and its logo are registered trademarks of Vicon Industries Inc.