



PRODUCT SPECIFICATION

MODEL: V800ACM-LG

PRODUCT CODE: 1877-06

DESCRIPTION: LIGHT-DUTY,
ADJUSTABLE CEILING MOUNT

The V800ACM Ceiling Mount is a light-duty mount from the ArchiTech Line of mounting hardware. One of Vicon's Benchmark Series of mounts, it is constructed of light gray, high-impact plastic and is designed to support camera/housing combinations weighing up to 7.5 pounds (3.4 kg). The adjustable head features a locking knob for vertical movement and can be set for any normal camera angle. The body of the mount can be rotated a full 360 degrees to adjust horizontal positioning.

NOTES	SPEC NO.	REV.	SEC.
	632	588	7



V800ACM CEILING MOUNT

TECHNICAL INFORMATION

- Dimensions: See Figure 1.
- Weight: 1.3 lb (0.6 kg)
- Construction: High-impact plastic.
- Finish: Light Gray
- Load Rating: 7.5 lb (3.4 kg).
- Mounting: Two No. 8 or No. 10 screws.
- Shipping Dimensions: Height; 8.2 in. (20.9 cm).
Width; 4.9 in. (12.5 cm).
Depth; 4.7 in. (11.9 cm).
- Shipping Weight: 1.8 lb (0.8 kg).
- Shipping Volume: 0.11 ft³(0.003m³)

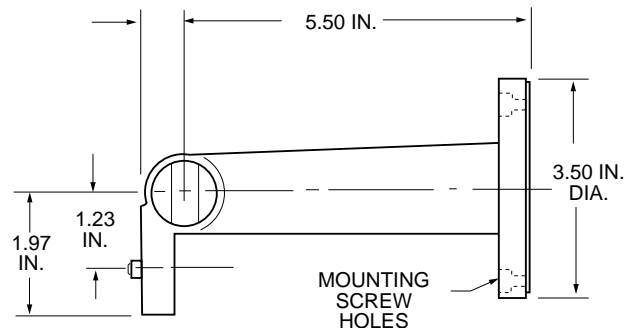
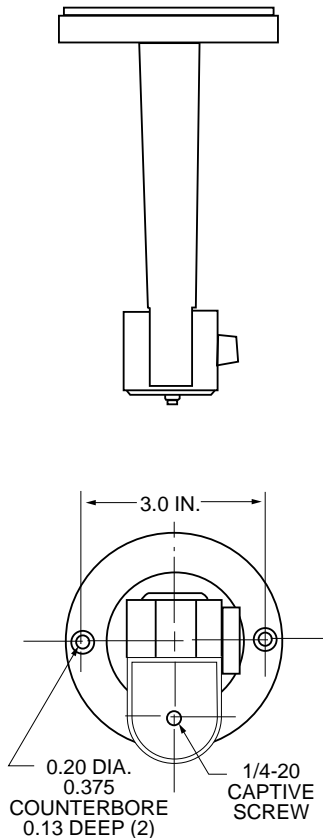


Figure 1
V800ACM Ceiling Mount
Outline Drawing

Product specifications subject to change without notice.
Copyright © 1999 Vicon Industries Inc. All rights reserved.

Vicon part number 8006-7632-01-00
Vicon and its logo are registered trademarks of Vicon Industries Inc.