

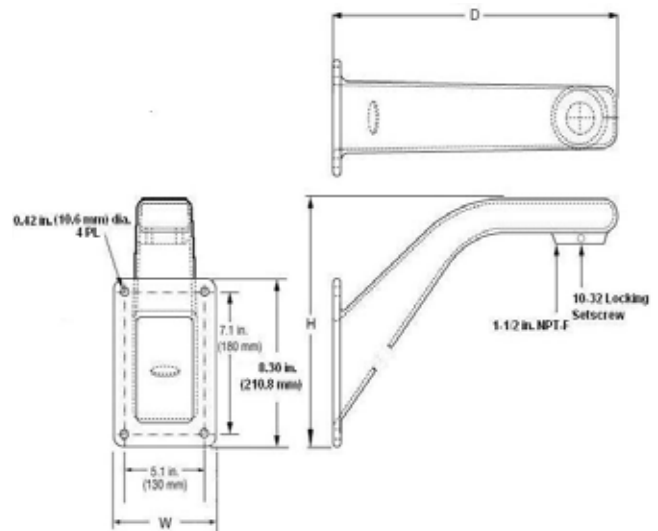
Surveyor™ Camera Dome Accessories

Wall Mount SVFT-UWM



- Wall mounting camera domes
- Cast aluminum construction
- 1-1/2-inch NPT-F pipe thread
- Height: 11.6 in. (295 mm)
- Width: 6.3 in. (160 mm)
- Depth: 14.6 in. (371 mm)
- Weight: 4.5 lb (2.0 kg)

Dimensional Data



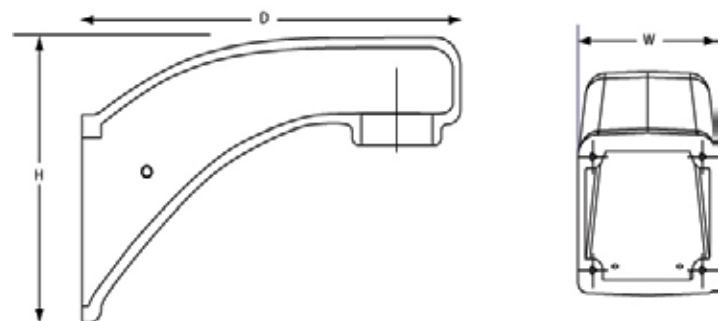
- Full datasheet available for more details.

Wall Mount SVFT-WM



- Wall mounting camera domes
- Cast aluminum construction
- 1-1/2-inch NPT-F pipe thread
- Height: 4.9 in. (124 mm)
- Width: 3.5 in. (89 mm)
- Depth: 7.5 in. (191 mm)
- Weight: 1.4 lb (0.6 kg)

Dimensional Data



- Full datasheet available for more details.

Corner Mount Bracket V24CMB

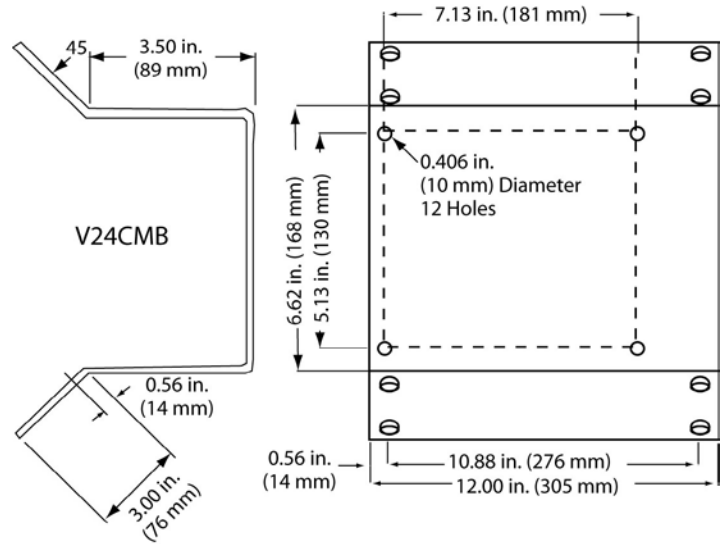


- Designed for corner mounting SVFT wall mounts
- Corrosion-protected steel construction
- Height: 6.6 in. (168 mm)
- Width: 12 in. (305 mm)
- Weight: 8.2 lb (3.7 kg)

Application

- For corner mounting SVFT-WM and SVFT-UWM wall mounts

Dimensional Data



Pole Mount Adapter V20B-A Series

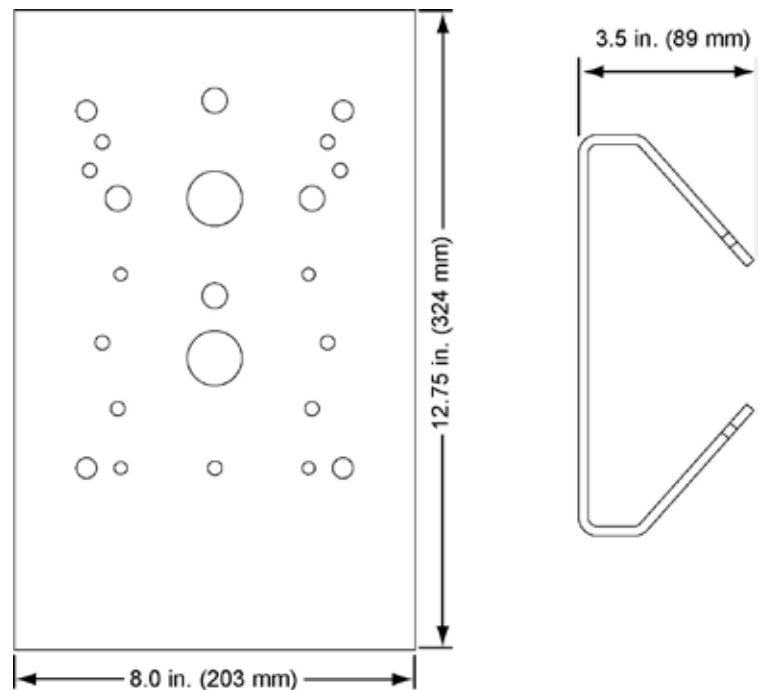


- Designed for pole mounting SVFT wall mounts
- Available with aluminum or stainless steel construction
- Fits 4 - 10 in. diameter poles
- Height: 12.75 in. (324 mm)
- Width: 8 in. (203 mm)
- Depth: 3.5 in. (89 mm)
- Weight: Aluminum - 3.7 lb (1.7 kg); steel - 11 lb (5 kg)

Application

- For pole mounting SVFT-WM and SVFT-UWM wall mounts

Dimensional Data



- Full datasheet available for more details.

Data Sheet Number: V134-50

Dated: 11/2011

Vicon part number: 8009-7134-50-00

Specifications subject to change without notice.

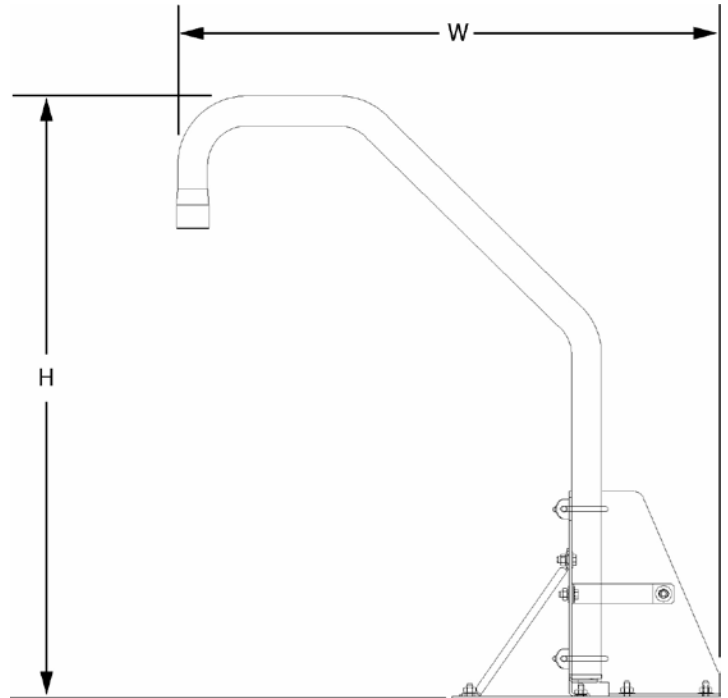
Vicon and its logo are registered trademarks or trademarks of Vicon Industries Inc. Surveyor is a trademark of Vicon Industries Inc. Copyright © 2011 Vicon Industries Inc. All rights reserved.

Roof Mount SVFT-URM-1



- Designed specifically for roof mounting camera domes
- Aluminum and steel construction
- 1-1/2-inch NPT-F pipe thread
- Height: 37 in. (940 mm)
- Width: 35 in. (889 mm)
- Load Rating: 50 lb (23 kg)
- Weight: 22.5 lb (10.2 kg)

Dimensional Data



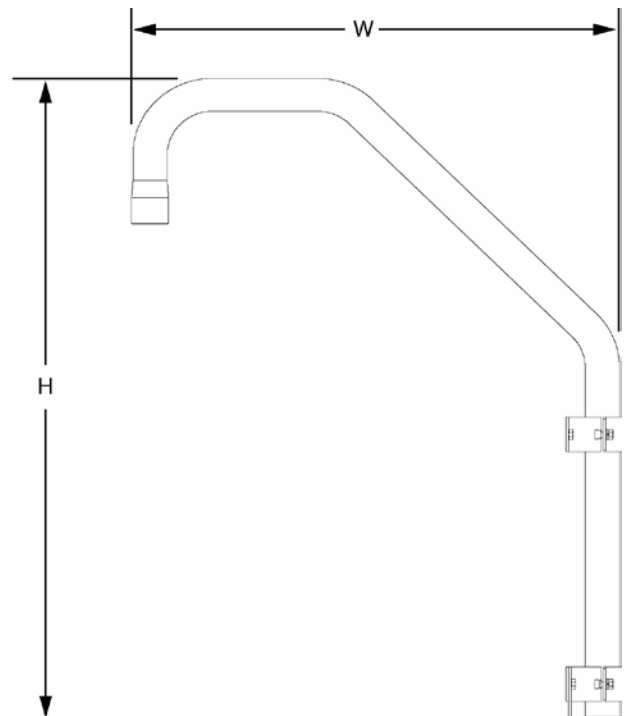
- Full datasheet available for more details.

Parapet Mount SVFT-UPM-1



- Designed specifically for parapet mounting camera domes
- Aluminum and steel construction
- 1-1/2-inch NPT-F pipe thread
- Height: 37 in. (940 mm)
- Width: 27 in. (686 mm)
- Load Rating: 40 lb (18 kg)
- Weight: 7.6 lb (3.4 kg)

Dimensional Data



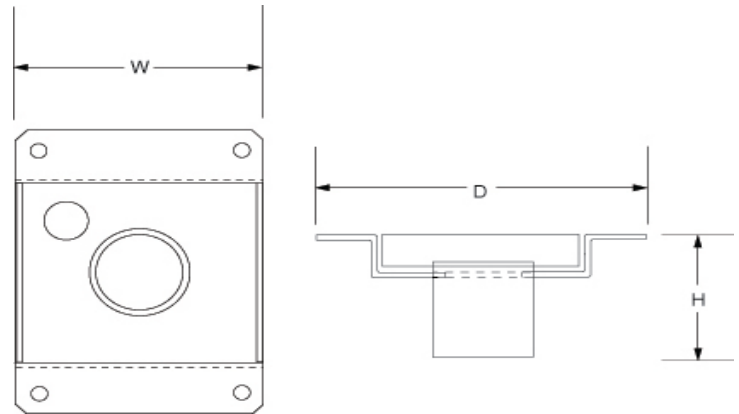
- Full datasheet available for more details.

Ceiling Mount SVFT-UCM



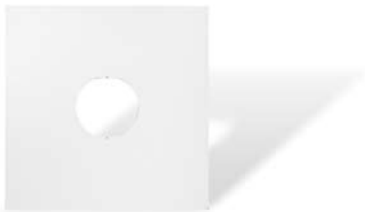
- Ceiling mounting
- Carbon steel construction
- 1-1/2-inch NPT-F pipe thread
- Height: 3.0 in. (76 mm)
- Depth: 9.1 in. (231 mm)
- Width: 6.0 in. (152 mm)
- Weight: 3.3 lb (1.5 kg)

Dimensional Data



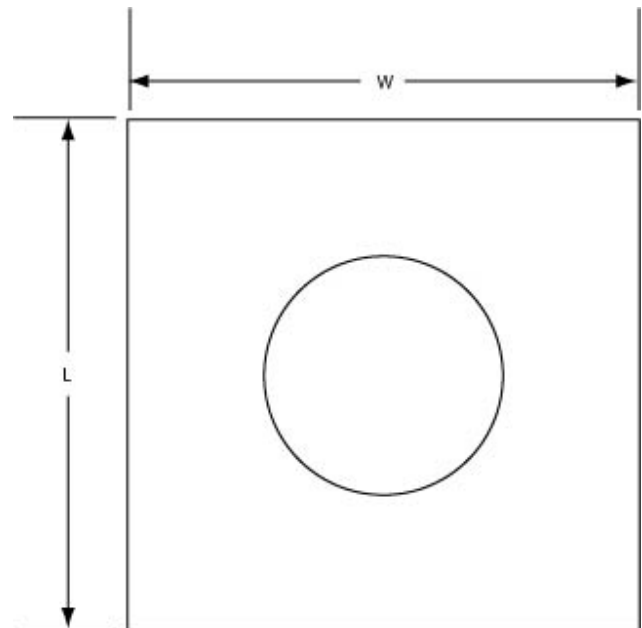
- Full datasheet available for more details.

Ceiling Panel SVFT-UCP



- Convenient mounting for in-ceiling version
- Provides extra support for in-ceiling installations
- Sheet steel painted white
- Fits in standard drop-ceiling grid
- Length: 23.75 in. (603 mm)
- Width: 23.75 in. (603 mm)
- Weight: 8.5 lb (3.9 kg)

Dimensional Data



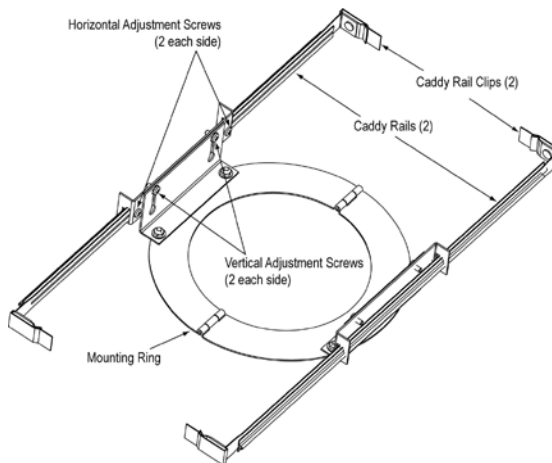
- Full datasheet available for more details.

In-Ceiling Mounting Kit SVFT-IC-KT



- Used when independent support is needed for an in-ceiling installation beyond the ceiling material
- Pre-assembled set of mounting rails and folding ring
- Designed to work with existing ceiling tile

Dimensional Data

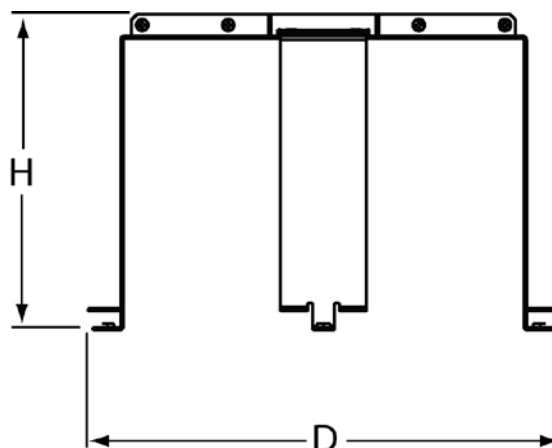


Soffit Mount SVFT-SOF



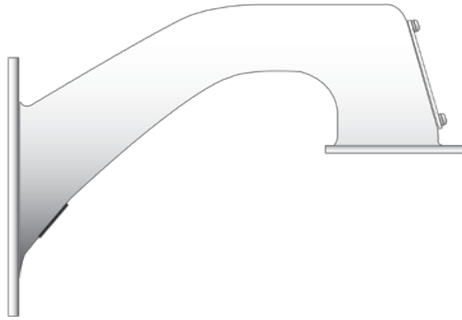
- Designed specifically for mounting into a soffit
- Compatible with outdoor and impact-resistant models
- Tamperproof screws secure trim ring
- Steel and aluminum construction
- Height: 7.4 in. (188 mm)
- Width: 9.75 in. (248 mm)
- Weight: 3.1 lb (1.4 kg)

Dimensional Data

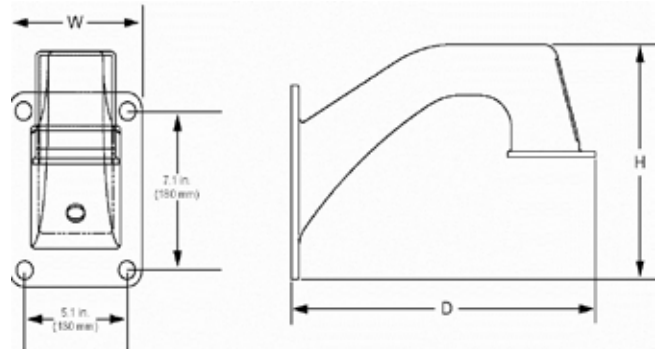


- Full datasheet available for more details.

Wall Mount SVFT-PR-WMA



Dimensional Data



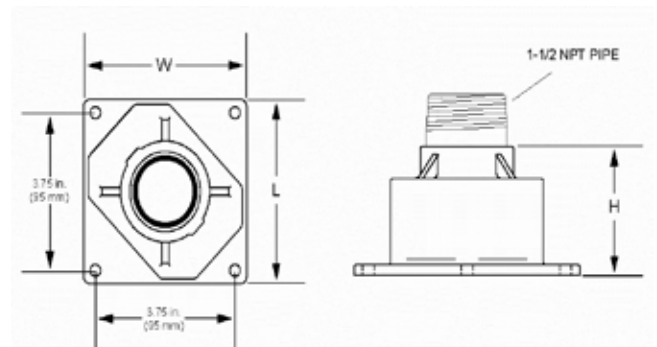
- Wall mounting pressurized camera domes
- Cast aluminum construction; painted white
- 1-1/2-inch NPT-F pipe thread
- Height: 9.4 in. (239 mm)
- Width: 6.6 in. (167 mm)
- Depth: 15.2 in. (386 mm)
- Weight: 5.25 lb (2.4 kg)

- Full datasheet available for more details.

Pipe Mount SVFT-PR-P



Dimensional Data



- Mounting pressurized camera domes to a pre-installed section of pipe
- Cast aluminum construction; painted white
- 1-1/2-inch NPT pipe thread
- Height: 3.0 in. (76 mm)
- Width/Length: 4.4 in. (111 mm)
- Weight: 1.0 lb (0.45 kg)

- Full datasheet available for more details.