



PRODUCT SPECIFICATION

MODEL: V110AWM

PRODUCT CODE: 1946

DESCRIPTION: LIGHT-DUTY, ADJUSTABLE, INDOOR/OUTDOOR WALL MOUNT

- Includes adjustable head
- Indoor and outdoor applications
- Attractive design



Model V110AWM Wall Mount is designed to support camera/housing combinations up to 20 pounds (9.1 kg). This mount includes Model V10AH Adjustable Head that allows for full 360-degree rotation and varying tilt angles.

TECHNICAL INFORMATION

MECHANICAL

Mounting: Two 1/4-inch screws.

Type: Adjustable.

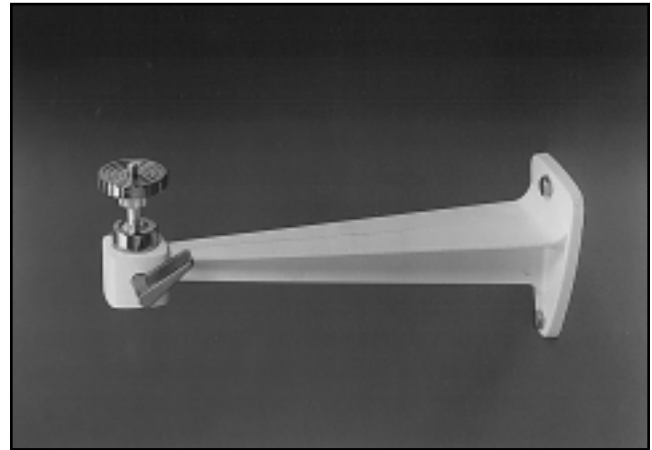
Angular Movement: Vertical: 90°. Horizontal: 360°.

Application: Indoor/outdoor.

Load Rating: 20 lb (9.1 kg).

Dimensions: See Figure 1.
Height: 4.6 in. (11.7 cm).
Width: 2.8 in. (7.2 cm)
Length: 11.2 in. (28.1 cm) maximum.

NOTES	SPEC NO.	REV.	SEC.
SUPERSEDES PRODUCT SPECIFICATION 603-994	603	499	7



V110AWM WALL MOUNT

Weight: 1.8 lb (0.8 kg).

Construction: Die-cast zinc.

Finish: Adjustable head: chrome plated.
Mount: light gray.

Shipping Dimensions: Height: 3.0 in. (7.6 cm).
Width: 4.0 in. (10.2 cm).
Depth: 11.0 in. (27.9 cm).

Shipping Weight: 2.1 lb (1.0 kg).

Shipping Volume: 0.08 ft³ (0.002 m³).

ENVIRONMENTAL

Storage Temperature Range: -40 to +150°F (-40 to +65°C).

Storage Humidity: Up to 90% relative, noncondensing.

CONTRACTORS' SPECIFICATION

11-INCH ADJUSTABLE WALL MOUNT

The wall mount shall be an adjustable indoor unit, 11.2 inches (28.1 cm) long, be of die-cast zinc construction and weigh 1.8 lb (0.8 kg). It shall have a load rating of 20 lb (9.1 kg). Height and width shall not exceed 4.6 in. (11.7 cm) and 2.8 in. (7.2 cm), respectively. The head shall be manually adjustable over a pan range of 360° and a tilt range of ±90°. The wall mount shall be Vicon Model V110AWM.

Product specifications subject to change without notice.
Copyright © 1999 Vicon Industries Inc. All rights reserved.

Vicon part number 8006-7603-02-00
Vicon and its logo are registered trademarks of Vicon Industries Inc.

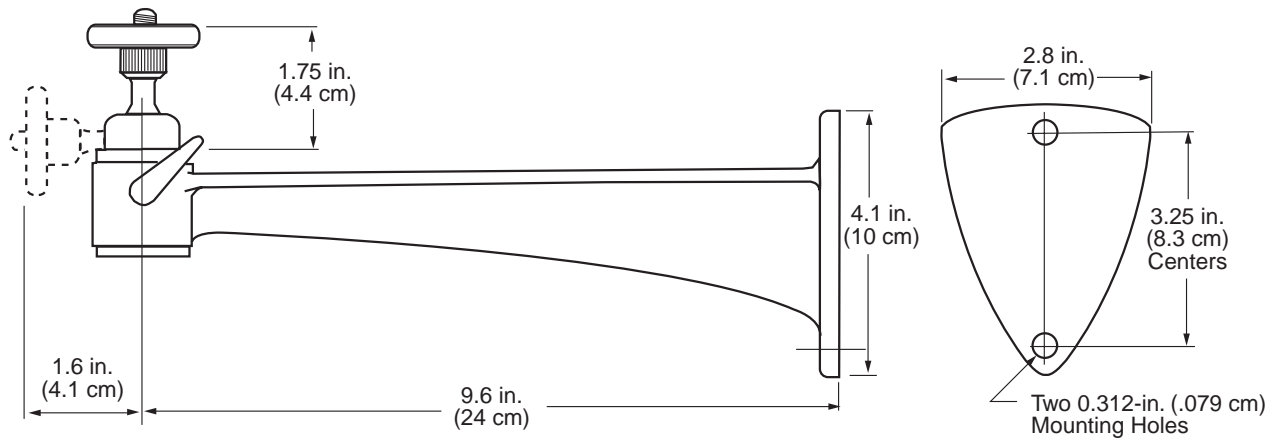


Figure 1
Outline Drawing