

V8540H-SP Explosionproof Housing

- Complies with UL standards
- Heater and blower accessories available
- Outdoor, explosionproof
- Easy installation and serviceability

The V8540H-SP Explosionproof Housing is suitable for both indoor and outdoor installations. It is constructed of seamless aluminum tubing, and the front window is made of tempered glass for distortion-free viewing.

The housing is equipped with an adjustable mounting bracket, a slide-out camera platform, and removable end caps. Conduit fittings are supplied on the rear end caps for ease of installation and service. See Figure 1 for outline drawing and Figure 2 for mounting plate hole pattern.

Accessory kits are available to provide a heater and blower with a thermostat control to maintain constant temperature within the housing. The heater provides 50 watts of heating power and may be used with 120 VAC and 230 VAC power. A preset thermostat turns on the heater when the temperature falls below 40° F (4.4° C) and turns on the blower when the internal temperature rises above 90° F (32.2° C).

The V8540H-SP Explosionproof Housing complies with UL 1203-1995 Class I, Division 1, Groups C and D, Class II, Division 1, Groups E, F, and G.

NOTE: The internal diameter of the housing is 4.8 in. (119 mm), and the free space above the camera mounting rail is 3.8 in. (96 mm). Refer to Figure 3. The dimensions given for maximum camera/lens height and width are based on a rectangular solid. Other sizes and shapes of camera/lens combinations may fit, but they must be physically tested for fit.

ASSOCIATED EQUIPMENT AND ACCESSORIES

Model V8540H-H Heater and Thermostat Assembly, Product Code 1644: Provides 50 watts of heating power. Thermostat preset for closure at temperatures below 40° F (4.4° C). Weighs 0.25 lb (0.1 kg). One model may be used with either 120 VAC or 230 VAC input power. Product Specification 760.

Model V8540H-B Blower and Thermostat Assembly, Product Code 1645 (120 VAC) or 1645-01 (230 VAC): Turns on when temperature rises above 90° F (32.2° C). Requires 8.5 W power. Weighs 0.09 lb (0.04 kg). Product Specification 760.

Technical Information

ELECTRICAL

Accessory Power: See Table 1.

MECHANICAL

External Dimensions: See Figure 1.
 Height: 6.0 in. (152 mm).
 Width: 5.25 in. (133 mm).
 Length: 20.1 in. (511 mm).
 With fittings, 26.7 in. (678 mm).

Weight: 16 lb (7.3 kg).
 With Options : 17.5 lb (7.94 kg)

Maximum Camera/Lens Dimensions: See NOTE, page 1.
 Height: 2.75 in. (70 mm).
 Width: 3.5 in. (89 mm).
 Length: 11.0 in. (279 mm).

Construction: Housing: tubular aluminum alloy.
 Window: 3/8-in. tempered glass.

Clear Window Area: 3.1 in. (79 mm) diameter.

Finish: Exterior: white baked enamel.

Cable Entry Ports: Two Crouse-Hinds EYS11 explosionproof factory sealed fittings, with 54 inches of signal and power cable

attached. (Belden 9254 13-conductor closed-circuit cable; Belden 19230 3 conductor power cable.)

Housing Mounting: Adjustable mounting bracket. Seven 0.281 in. (7.14 mm) diam. holes. See Figure 2.

Camera Mounting: Slide-out platform.

NEMA Standard: 3*.

CE Standard: IP54*.

UL Standard: 1203-1995 Class I, Division 1, Groups C and D, and Class II, Division 1, Groups E, F and G.

Shipping Dimensions: Height: 11.5 in. (292 mm).
 Width: 10.75 in. (273 mm).
 Length: 30.4 in. (772 mm).

Shipping Weight: 20 lb (9.1 kg).

Shipping Volume: 2.2 ft³ (0.06 m³).

Based on engineering evaluation and test.
 Not tested independently.

Model	Power Consumption	Heat Equivalent†
V8540H-H	50 W	2.8 btu/min (0.7 kg-cal/min)
V8540H-B	8.5 W	0.5 btu/min (0.1 kg-cal/min).

† These figures represent the conversion of 100% of the electrical energy to heat. Actual percentage of heat generated will be less and will vary from product to product. These figures are provided as an aid in determining the extent of cooling required for an installation.

Table 1: Accessory Power

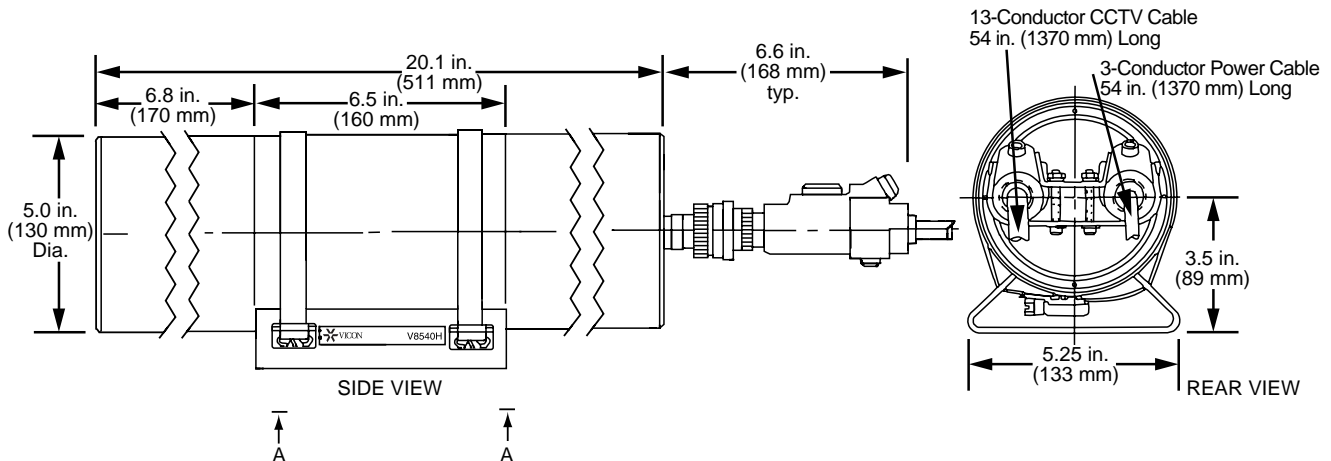


Figure 1: Outline Drawing

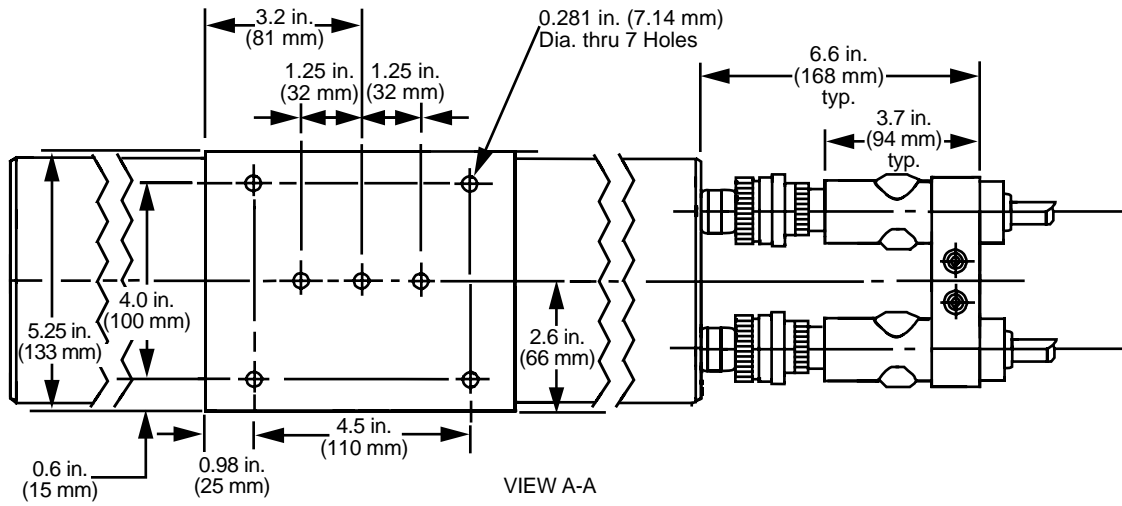


Figure 2: Mounting Plate Dimensions