

V926 Impact-Resistant Analog Camera Dome Series for In-Ceiling and In-Soffit Mounting



- Rugged construction is ideal for harsh indoor or outdoor environments
- Color and Day/Night models
- On-screen menus with innovative joystick control make setup and operation easy
- Privacy masking provides the ability to mask out selected regions of the scene
- Highlight Mask Exposure feature masks bright spots in a scene providing better overall clarity
- 560 TV lines provide excellent resolution and high-quality images
- Digital Noise Reduction improves image quality in low-light environments

Vicon's V926 Roughneck® Camera Dome series provide an ideal solution for a multitude of monitoring situations. Two models are offered: a high-resolution color model and a day/night model. All models are indoor/outdoor cameras and are powered by 24 VAC. Each of the camera models offer unique features designed to maximize usability at a reasonable cost, including coaxial or UTP video transmission. NTSC and PAL models are offered.

Camera and Optics Provide Outstanding Performance and Value

The V926 includes an integral camera and 3.3-12 mm varifocal lens that provides superb sharpness and excellent sensitivity. The camera is a 1/3-inch color CCD device with a resolution of 560 TV lines. Built in digital noise reduction improves image quality, minimizes video interference and triggering of false alarms.

Durable Construction

The V926 is constructed of die-cast aluminum with a high-impact polycarbonate plastic dome. The camera package is designed to withstand the harshest conditions and destructive environments of correctional facilities, warehouses and loading docks. The units include O-ring seals and a heater, which allow operation in low temperature and in all weather conditions. Tamper-resistant screws make the unit resistant to vandalism.

Easy Installation

The V926 is designed for easy installation. The extensive on-screen display menus allow setup of white balance, AGC, backlight compensation, exposure, privacy masks and many other functions.

The V926 may be mounted in a ceiling or soffit using the supplied bracket and integral 4 x 4 electrical box. The camera mount offers adjustment to any view required. The camera position is adjustable horizontally, vertically and rotation about its axis (roll/azimuth), for any angle of view required.

Ordering Information

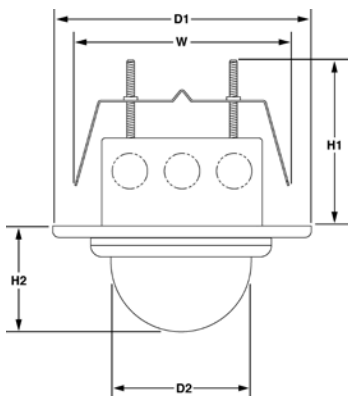
Type	Application	Lens	Model Number
Color	Indoor/Outdoor	3.3-12 mm	V926-C312
Day/Night			V926-N312

For PAL models add a -P to the Model Number. For example: V926-C312-P.

Camera and Optics

Image Device:	1/3-inch color CCD.
Picture Elements:	NTSC: 811 (H) x 508 (V), 410,000 pixels. PAL: 795 (H) x 596 (V), 470,000 pixels.
Sensitivity:	0.01 fc (0.14 lux) with f/1.2 lens at 30 IRE. B&W (V926-N312 Night mode): 0.001 fc (0.01 lux) with f/1.2 lens at 30 IRE.
Video Output:	1.0 V p-p @75 ohms, composite.
Horizontal Resolution:	560 TV lines: 600 TV lines B&W.
S/N Ratio:	50 dB (AGC off).
Synchronization:	Internal/External.
Automatic Gain Control (AGC):	Selectable: Off, Low, Middle, High.
Backlight Compensation:	On/Off.
Flickerless:	On/Off.
Privacy Mask:	6 zones/size.
Sense Up:	Off/Auto (X2 - X256).
Digital Noise Reduction:	Selectable: Off, Low, Middle, High.
Iris Control:	Automatic.
White Balance:	Automatic/Manual, Red/Blue Gain Level.
Shutter Speed:	NTSC: 1/60-1/100,000 sec. PAL: 1/50-1/100,000 sec.
Focal Length :	3.3-12 mm.
Aperture:	f/1.2.
Field of View:	Horizontal: 83.9°-23.91°. Vertical: 61.9°-17.93°.

Dimensional Data



Data Sheet Number: V150-05
Dated: 02/2012

Vicon Data Sheet Part Number: 8009-7150-05-02
Specifications subject to change without notice.

Electrical

Input Voltage:	24 VAC (20-27 VAC) isolated.
Current:	0.5 A nominal. 0.6 A maximum, including heater.
Power Consumption:	12 W nominal. 17.4 W maximum, including heater.
Connectors:	Power: 3-pin terminal block. Video: BNC or UTP terminal. Heater: 2-pin connector.
Certifications:	CE and FCC Class A.

Operational

Control Display:	On-screen, menu-driven system allowing full configuration of the camera.
Tilt and Horizontal Adjustment:	Pan, 360°; tilt, 60° from vertical and rotation about its axis (roll/azimuth).
Lens Adjustment:	Focus: focus lever screw. Zoom: zoom lever screw.

Mechanical

Mounting:	Indoor/outdoor. In-ceiling or in-soffit mount with 4 x 4 electrical box/bracket.
Dimensions:	Height: (H1) 4.1 inches (104 mm) above ceiling. (H2): 3.4 inches (86 mm) below ceiling. Total Diameter: (D1) 6.44 inches (163.5 mm). Dome Diameter: (D2) 4.73 inches (120 mm). Electrical Box Width: (W) 4.75 inches (121 mm). Electrical Box Height: 2.2 inches (56 mm). 2.25 lb (1.02 kg).
Weight:	2.25 lb (1.02 kg).
Construction:	Cast aluminum and steel with smoked polycarbonate plastic dome and black mask. Light beige.

Environmental

Operating Temperature Range:	14 to 131° F (-10 to 55° C).
Operating Humidity Range:	Up to 90% relative, non-condensing.
Storage Temperature Range:	-4 to 158° F (-20 to 70° C).